



Power.Cash 'Accessible'

The barrier-free premium model of SKIDATA's pay-on-foot machines meets the highest demands in ergonomics, design, functionality, reliability and efficient service.

Power.Cash 'Accessible' offers a wide range of options for expanding your business models effectively and profitably and underlines your social orientation.

Power.Cash 'Accessible' – Your Benefits

- **Big business**
New business models, satisfied customers, high throughput rate.
- **One-off purchase**
One device for all makes this possible.
- **Protected investment**
Maximum benefits – minimum risk – easy extension.

Your "business card"

- **Modern image**
Score with technology and social responsibility.
- **Top design**
The refined materials used fit in elegantly with any type of architecture.
- **Individual style**
Give your corporate presence a unique, truly shining appearance by integrating your logo and company colors.

Minimizing risks

- **Security counts**
Full transaction transparency for you and your staff. Take advantage of Operator.Services 'Webkey'.
- **Smooth runnings**
Cutting-edge technology and an intelligent UPS system ensure high availability even in extreme situations.

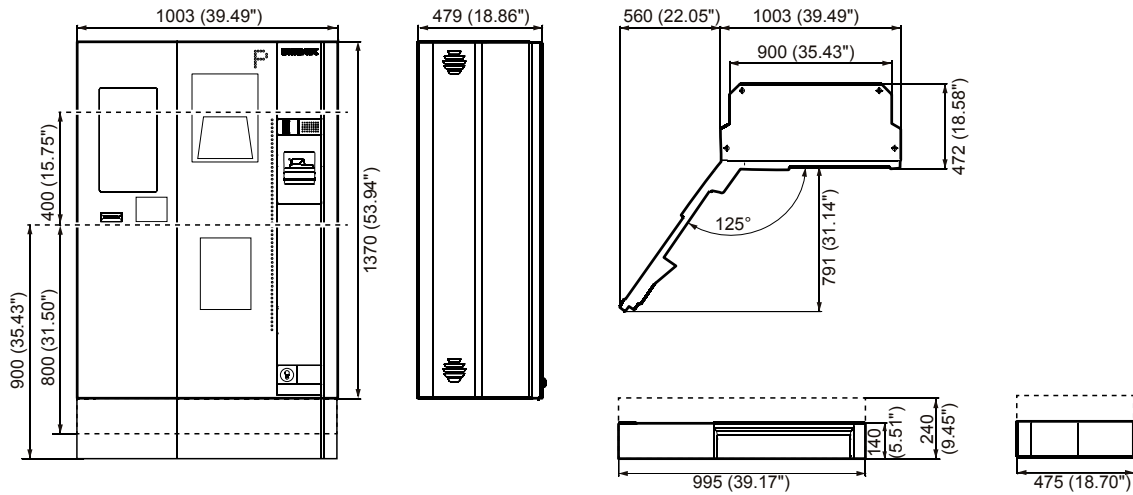
Working more efficiently

- **Expanding your business models**
Modern ticketing with Print@Home, RFID, magstripe and barcoded tickets, and double ticket fanfold intake open up a host of new possibilities.
- **Optimized service planning**
High capacities and intelligent systems will help you.

Enjoying the convenience

- **Comfort for all**
Optimal operation in both standing and sitting.
- **Touchscreen**
Offer the excitement and possibilities of a modern operation.
- **High throughput rate**
Intuitive user interaction supported by Active View Technology.

all dimensions in mm



Features

Design/Structure

- Unique design based on steel, high-grade glass and high-quality plastics
- Backlit "P" parking space sign
- Handicapped-friendly design
- VdS certified enclosure construction
- Large space for information labels (format ISO A4), e.g. tariff sheet
- Sufficient capacity for approx. 350 withdrawn paper tickets
- Illuminated change compartment with damped-motion cover
- Intercom system with adjustable volume and microphone
- Heater, cooling fan, and power supply unit
- Uninterruptible power supply (can bridge up to 10 minutes)

Operation

- Innovative LED illumination on front panel
- Latest touch technology
- Intuitive user guidance: only on-screen controls relevant for the next step are visible
- Acoustic soft key support; intercom system
- 26.4 cm (10.4") high-resolution TFT color display with touch screen

Cash handling system

- Electronic coin validator: accepts up to 16 different coins (including 2 programmable token)
- High coin storage capacity of self-refilling change bins (4 x approx. 1000 coins)
- Self-locking coin cashbox made from high-grade stainless steel

Options

Design/Structure

- Can be varnished in custom colors
- Support stand versions for different elevation of user controls
- Installation frames for optional expansion modules (pin pad, credit card terminal, fiscal printer, etc.)
- Uninterruptible power supply (can bridge power failures of up to 30 min)
- Digital intercom (optionally 2-wire or Ethernet-based)
- Double fanfold ticket intake (approx. 2 x 3000 ticket blanks)
- Large ticket holding bin (approx. 1500 tickets)
- Illumination attachment (integrated "Parking" sign, coin and bill symbols, space for custom logo)
- Bag rest (depending on pedestal version used)
- Locking system with mechanical or electronic locks (supports configurable permissions)

Cash handling system

- Banknote validator SC 83 – banknote stacking container for up to 600 banknotes
- Banknote validator BNA 56/57 – banknote stacking container for up to 1000 banknotes
- Double- or Triple banknote dispenser – banknote stacking container for up to 500 banknotes per variety (Important note: Elevation of issuing point is 660 mm or 760 mm above floor level, depending on the size of the support stand used.)
- Bill to Bill banknote recycler – banknote stacking container for 1000 banknotes

Coder/ticket technology

- Coder Unlimited for ticket processing
- Coder Basic (crosswise barcode and punch-hole based validation)
- RFID Module (for reading and writing/coding of keycards)
- Print@Home Scanner

Technical Specifications

Dimensions	1003 mm x 1370 mm x 479 mm (W x H x D) / 39.49" x 53.94" x 18.86" (w x h x d) - without pedestal
Weight	up to 300 kg / 660 lbs (depending on equipment installed)
Power supply	240 V AC / 50 Hz; 120 V AC / 60 Hz
Power consumption	max. 250 W (without heater); max. 1 kW with heater on
Operating temperature	-20°C to +50°C (-4 °F to +122 °F) (ambient temperature, when installed outdoors under a protecting roof without direct exposure to sunlight)
Default colors	RAL 9007 (gray aluminum) and RAL 9005 (deep black), Pedestal RAL 7021 (black-gray)
Enclosure front panel	powder coated, 2 mm (0.079") thick basic enclosure frame, powder coated door panel made from 3 mm (0.1") sheet steel
Supported data carrier formats	SKIDATA thermal cardboard/without magnetic stripe, SKIDATA ThermoPlast and ISO magstripe cards, ISO 7816 compliant smartcards, ISO 14443 and ISO 15693 contactless cards, EC bank cards, credit cards
Interface	Ethernet, 4 potential-free relay outputs, Commend compatible intercom station
Declarations / Certifications	CE, FCC, IC, _c NRTL _{US} (120 V version only), VdS
PC	Industrial PC, Windows XP Embedded operating system, SQL database
Uninterruptible power supply	up to 10 minutes

SKIDATA AG • Untersbergstraße 40 • A-5083 Grödig/Salzburg

[t] +43 6246 888-0 • [f] +43 6246 888-7 • [e] info@skidata.com [w] www.skidata.com • Version 1.2 • 24.09.2013

© 2013 SKIDATA AG. All rights reserved.

The content provided herein is subject to change and possible editorial errors. Country-specific versions may vary. SKIDATA® is a registered trademark of SKIDATA AG in the USA, the European Union and other countries. Terms and conditions of the authorized SKIDATA distributor apply. The operator is fully responsible for compliance with any legal provisions applicable to the operation of the products.