



Picture may vary from actual product

Lite.Gate

The Lite.Gate is the smart alternative for ticket reading only. The small parking barrier gate is big on RFID and barcode solutions and also provides access to the modern online world. Expand your business models; become part of urban solutions. Lite.Gate will support you at its best!

The Ticket Reader – Ticketing made easy

- **RFID and Barcode Reading**
Comprehensive solutions for common media.
- **Entry Into the Online World**
Read-only applications (pure reading vs tickets) as part of modern IT solutions.
- **The Complete Credit Card Solution**
A receipt printer supplements the PIN pad and credit card reader.

Your Business Card

- **High-Quality Design**
High-class materials and glowing features blend elegantly into all types of architecture.
- **Professional Image**
Bi-directional video communication provides your company with a face.
- **Make a Lasting Impression**
Expert-optimized operational guidance for look and sound provide positive user experiences.

Efficiency Increase with Quality

- **Transactions Around the Clock**
Touchless RFID transactions around the clock and reliable barcode technology guarantee maximum availability.
- **Save on Costs**
Almost maintenance-free components optimize your service and maintenance.

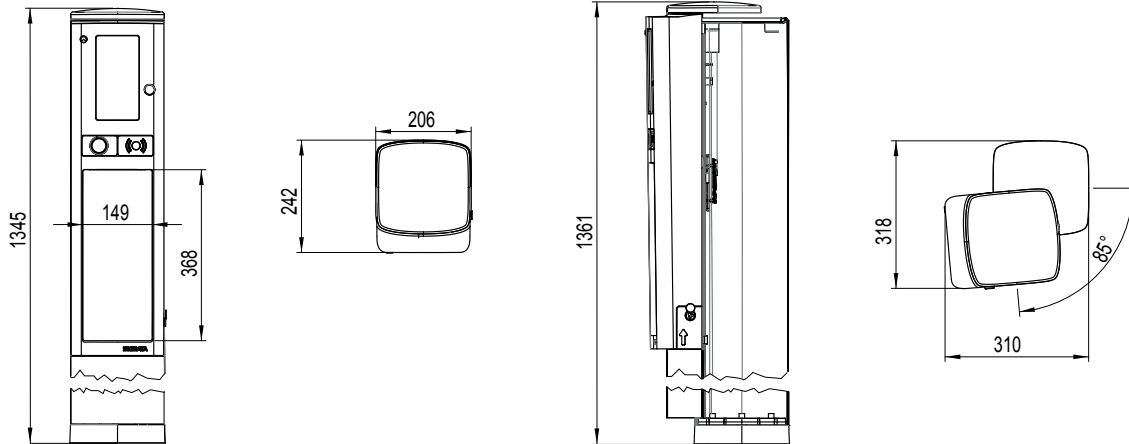
Optimize Your Investment

- **Suitable for Every Budget**
A customized solution for every application.
- **Protect Your Investment**
Future-proof due to flexible options for expansions and installations.
- **Save Money on Your Expenditures**
Smooth investment expansion and renewals thanks to the random miscibility of SKIDATA parking columns.

Save Money and Protect the Environment

- **Minimize Your Power Usage**
Situational energy saving modes and no heating above $-20\text{ }^{\circ}\text{C}$ ($-4\text{ }^{\circ}\text{F}$) stand for a high energy efficiency.
- **Recyclable Materials**
Resource-efficient due to a high degree of reusability.

all dimensions in mm



open state

Features

Design/Construction

- Unique design based on aluminum and high-grade synthetics
- Modular, easy maintain construction
- Flexible extension options ensure maximum investment protection
- Weather-proof, thanks to use of durable high-grade materials, such as aluminum
- Ethernet interface for efficient system integration
- Large installation space for add-on modules (e.g., PIN pad, credit card reader, etc.)

Operation

- Intuitive user interaction helps to ensure very high processing rates
- Visual and acoustic feedback provides additional user support

Green Efficiency

- Optimised for low power consumption; no heating required down to $-20\text{ }^{\circ}\text{C}$ ($-4\text{ }^{\circ}\text{F}$)
- Materials provide high degree of re-usability

Options

Design/Construction

- LED light bar serves as a stylish, illuminated eye-catcher
- Housing available in custom colors

Ticket Processing

- RFID module for reading and encoding 13 MHz keycards
- Print@Home scanner with special optical array for paper tickets and mobile phones; supports various formats
- Receipt printer for entire credit card solution
- Barcode ticket insert reader for 'classic' ticketing

Communication

- Analog intercom
- Integrated digital intercom (Ethernet)
- Bi-directional (i. e., duplex) video communication (solution includes camera hardware)

Displays

- Basic status display for simple applications
- Bright high-resolution graphics display ensures good readability under any light conditions; supports clear, vivid display of commercials and videos (with automatic brightness adjustment); 800×480 pixels
- Outdoor capable touch screen for additional Parking Column control functions (can be operated while wearing gloves)
- Sophisticated display modes support various applications and design options

Accessories

- Locking system with mechanical or electronic locks, supports configurable access permissions
- Various contact and interface extensions to suit a wide range of requirements
- Heater for extremely low ambient temperatures
- AFILS Acoustic support for clear intelligibility

Technical Specifications

Dimensions	206 mm × 1345 mm × 242 mm (B × H × T)
Weight	approx. 20 kg
Operating voltage	100-240 V $\pm 10\%$ / 50-60 Hz
Operating temperature	$-20\text{ }^{\circ}\text{C}$ ($-4\text{ }^{\circ}\text{F}$) bis $+50\text{ }^{\circ}\text{C}$ ($+122\text{ }^{\circ}\text{F}$) under sun exposure
Operating temperature with additional heater	$-40\text{ }^{\circ}\text{C}$ ($-40\text{ }^{\circ}\text{F}$) bis $+50\text{ }^{\circ}\text{C}$ ($+122\text{ }^{\circ}\text{F}$) under sun exposure
Max. ambient humidity	90 % (non-condensing)
Support stand color	Brushed anodized aluminum
Cover color	RAL 7037 Dusty Grey (varnished plastic)
Pedestal base color	RAL 7043 Traffic Grey (colored plastic)
Panel color	RAL 7021 Black Grey (varnished plastic)
Declarations / Certifications	CE, FCC, IC, cNRTL_{US}
Degree of protection based on IEC 60529	IP43