



Coder Basic 'Desktop' & Coder Unlimited 'Desktop'

What does it take to provide coder functionality at your cashier desk?
A simple USB connection.

Ticket production capability at your desk

- Print text and graphics on tickets via high resolution thermal printing; reuse keycards thanks to erasable printing.
- Produce receipts on blank paper tickets or print receipt text on existing tickets.

Choose the ticket technology you need

- From crosswise or lengthwise barcodes, magnetic stripe and 13 MHz-RFID to SKIDATA or other validations.
- Handle large print runs with ease thanks to automatic feeding of tickets from two different bins.

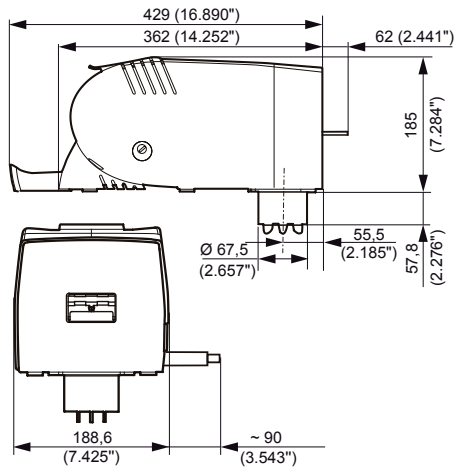
The convenient ticket reader option...

- The fast, low-noise ticket production you want and the cash drawer control you need.
- Supports standard 13MHz-RFID and ISO magnetic stripe cards for a wide range of business applications.

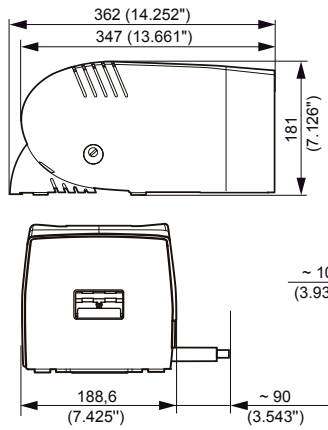
...is also the convenient payment option

- Quick and easy payments with multiple cards.
- Enable immediate exit at manned gates with automatic ticket recoding after payment.
- Minimize cashier fraud with automatic ticket verification.

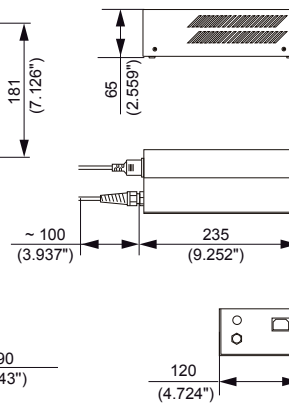
Coder Unlimited 'Desktop'



Coder Basic 'Desktop'



Power Supply



all dimensions in mm

Features

- Reliable and economical, thanks to low-noise high-speed printing
- Tamper-proof as printing, coding and verifying is done in a single processing step
- Very high issuing speed
- Ultimate printout quality thanks to 300 dpi thermal print head
- Thermal direct printing (blackening of a thermal layer on the ticket's surface)
- USB port, cash drawer interfaces
- Device can be locked with removable key

Coder Unlimited

- Erasing and writing of ThermoReWrite keycards in a single process step
- Integrated rest for RFID data carriers (for use with optional RFID functionality)
- Two ticket parking positions for simultaneous processing of up to three tickets
- Two intakes for processing of fanfold stock and issuing of tickets and receipts on separate blank tickets

Coder Basic

- Ultimate barcode scanning quality, thanks to hermetically sealed scanner unit (top)
- Manual ticket insertion via front ticket slot

Options

- Scanner for crosswise barcodes (top/bottom; 2/4 insertion directions)
- Validation hole detector module
- Validation detector light barriers for detecting validation holes (available ex works only)
- Cable for cash drawer control (1-IN/1-OUT or 4-IN/2-OUT)
- Locking system cylinder
- Cleaning kit

Coder Unlimited

- Scanner module for lengthwise barcodes (top/bottom; 2/4 insertion directions)
- Magnetic stripe card reader (1/2 insertion directions; 2/3 tracks; LoCo/HiCo)
- RFID via integrated antenna (ISO 15693 / ISO 14443), 13 MHz keycards (125 kHz: EOL 2016)

Technical Specifications

	Coder Unlimited	Coder Basic
Data carriers	TK Unlimited, TKC Unlimited (system-based barcode tickets or magnetic stripe cards) keycard, Keyticket (system-based RFID data carriers), TK450, TKC450, barcoded VP Card, magnetic stripe cards (ISO 7811), RFID-based cards (ISO 15693, ISO 14443)	TK Unlimited
Ticket issuing speed	up to 1500 tickets per hour (up to 2000 without cutting off)	up to 750 tickets per hour (inserted manually)
Device dimensions	approx. 190 mm x 190 mm x 430 mm / 7.48" x 7.48" x 16.93" (w x h x d)	approx. 190 mm x 190 mm x 370 mm / 7.48" x 7.48" x 14.57" (w x h x d)
Weight	up to 5 kg / 11 lbs	up to 3 kg / 6.6 lbs
Operating temperature range	0 °C to +40 °C / +32 °F to +104 °F (ambient temperature)	
Operating voltage	24 V DC / 4–6.5 A	
Power consumption	max. 156 W to 24 V DC	
Interfaces	USB 2.0 compatible / Cashbox (4 Input / 2 Output)	
USB driver	XP(e)/W2000/SRV2003/Vista (x86 only), W7(e)/W2k8R2 (x86+x64)	
Declarations / Certifications	CE, cUL _{US} , GOST-R, FCC, IC, KCC, Japan Certification (MIC)	
Casing	RAL 9007 half-matt	
Casing support, control elements	RAL 7043 traffic grey B	
RFID rest (Coder Unlimited)	Pantone 114 U	

SKIDATA, Inc. • One Harvard Way, Suite 5, Hillsborough • NJ 08844

[t] (908) 243-0000 • [f] (908) 243-0660 • [e] info.usa@skidata.com [w] www.skidatausa.com • Version 3.2 • 19.10.2011

©2011 SKIDATA AG. All rights reserved.

The content provided herein is subject to change and possible editorial errors. Country-specific versions may vary. SKIDATA® is a registered trademark of SKIDATA AG in the USA, the European Union and other countries. Terms and conditions of the authorized SKIDATA distributor apply. The operator is fully responsible for compliance with any legal provisions applicable to the operation of the products.