



Barrier.Gate

A system for all purposes and applications!

No barriers for you and your needs – but a distinct boundary for your parking facility!

Quick Movements, Longer Arms

- Arm lengths up to 4.5 meters (14.76 ft) with optional magnetic lock to prevent misuse.
- Configurable opening times: up to 15% quicker than other systems.
- Straight and folding arms available.

Entirely New Features

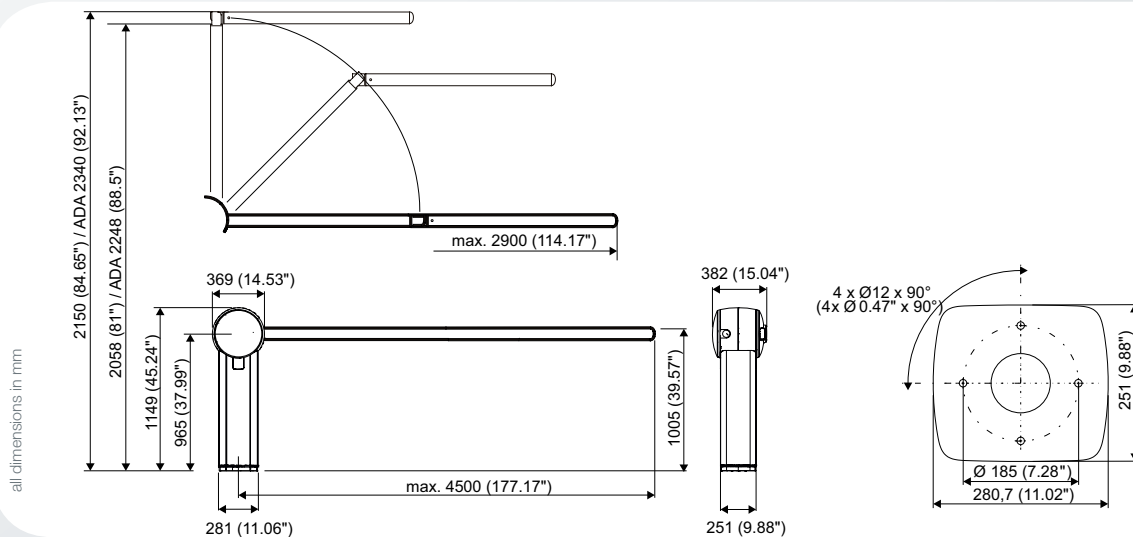
- Display of various dynamic symbols via the (optional) integrated LED display.
- Surveillance using a built-in video camera that is protected against vandalism.
- Unique: Illuminated folding arm using RGB LEDs for safety and visibility.

Intelligent System Without A Column

- The inexpensive solution for your parking facility: You only need the barrier gate, no column.
- Integrated RFID readers solve the task of parking facility monitoring.
- Small amount of components for easy maintenance.

High-Quality, Energy-Optimized Components

- High-quality design that is unique in its field.
- Special focus on the use of energy-saving components.
- Operation in a wide range of temperatures possible without any extra heating or ventilation.



Features

- Top Housing made from high-impact resistant plastic; lower housing manufactured from anodized aluminum
- Direct drive gear motor with variable frequency drive
- Self-locking drive (stops motion in case of power failure)
- Barrier breakage detector
- Variable opening times, configurable in accordance with barrier arm length
- Barrier arms made from GRP
- Barrier arm lengths up to 4.5 m (14.76 ft)
- Barrier arms are easy to mount
- Versions for left-hand and right-hand traffic

Standard Version

- Parking barrier with mounting plate, main body manufactured from aluminum, drive motor and collar for barrier arm installation
- Electronic control assembly with data connection to Power.Gate, Lite.gate or Column.Gate parking column
- Yellow accent stripe
- Key for housing access

Options

Barrier Arms

- Standard: Color: Traffic Yellow RAL 1023/translucent; non-illuminated for lengths up to 4.5 m (14.76 ft)
- Multi-color version: Color: white/translucent, with internal RGB LEDs for optional illumination of barrier arm in red, yellow and green to indicate closed, opening, and open states, respectively; lengths up to 4.5 m (14.76 ft)
- Jointed barrier arm: Overhead clearance: 2.07 m (6.8 ft) or 2.25 m (7.38 ft); Lengths 2.5 m (8.2 ft) or 2.9 m (9.5 ft)

Functional Modules

- Up to two double loop detectors for vehicle detection and passage direction
- Bi-directional red warning light to indicate moving barrier arm
- Beeper for audible indication of barrier motion
- Crash guard, made from stainless steel
- Interface for illumination options and optional loop detectors
- Interface for up to 16 additional I/Os
- Webkey system lock available
- Lock available for inclusion in locking systems
- White accent stripe
- Backlight for accent stripe

Technical Specifications

Dimensions	382 mm x 1149 mm x 369 mm / 15.04" x 45.24" x 14.53" (w x h x d)
Weight	48 kg (105.82 lbs) (without barrier arm)
Operating voltage	100-240 V \pm 10% / 50-60 Hz / 500 W max. With heater: 120 V \pm 10% / 50-60 Hz / 1000 W max.
Temperature range	Standard: -20 °C to +50 °C (-4 °F to +122 °F) Cold Kit (heater): -40 °C to +50 °C (-40 °F to +122 °F) Hot Kit: -20 °C to +55 °C (-4 °F to +131 °F)
Lower Housing - Color	Light Gray RAL 7035 (Anodized Aluminum)
Top Housing - Color	Dusty Gray RAL 7043 (Plastic)
Base Section - Color	Traffic Gray RAL 7043 (Die-Cast Aluminum)
Accent Stripes - Color	Traffic Yellow RAL 1023
Degree of protection	IP44
System Requirements	SKIDATA Online Stack 3.0 resp. Parking.Logic V 05.00.04
Declarations / Certifications	FCC, IC, cNRTLus